

STAGING

Staging may take place on Sunday 16th June 2019 from 10.00 am to 6.00 pm and Monday 17th June from 9.00 am to **3.30 pm**.

Judging will take place on Monday 17th June 2019 at 4.00 pm.

Exhibitors should report to the Competitions Secretary in the Marquee on arrival. Please note cars **MUST** be unloaded as directed.

Dismantling **will take place after 5.30 pm** and before 7.00 pm on Wednesday 19th June 2019. Trophies to be presented on Wednesday 19th June 2019 in the Flower Marquee at 4.30 pm. Payment of Prize Money will take place from 4.30 pm.

RULES

- 1 The position occupied by all exhibitors will be decided by the Committee and a card with the name of each exhibitor will be placed in each space.
- 2 The Judges' decision will be final.
- 3 All classes must be arranged by the exhibitor/s in the marquee without assistance, with the exception of Classes F3, F10 and F12 which may be brought ready assembled.
- 4 All entries should be on the official entry form which should be returned not later than 3rd June 2019 addressed to **MRS ANN FRANCE, CHURCH HOUSE FARM, GOLBORNE ROAD, WINWICK, WARRINGTON, WA2 8LF.** Tel: 01925 634 198
- 5 Trophies are awarded for one year and must be returned to the **Cheshire Agricultural Society, Clayhouse Farm, Flittogate Lane, Tabley, Knutsford, WA16 0HJ by 1st April 2020**
- 6 Whilst the Society will take all reasonable steps to prevent injury to persons or damage to property, neither the Society nor its Officers or Servants accept responsibility for such injuries or damage howsoever caused and whether or not involving negligence on the part of any such Officers or Servants.

The Show, its Officers or Servants shall not be responsible for any accident, damage or loss however caused, that may occur to any Exhibitor or his Servant, or to any article, animal or property brought into the Showground, or while entering or leaving the Showground. Each Exhibitor shall be solely responsible for any loss, injury or damage that may be done to or occasioned by, or arising from, any machinery, or other article or any animal or property exhibited by them. It is a condition of entry that each Exhibitor shall indemnify and hold harmless the Show from and against all actions, suits, expenses and claims on account of such damage or injury.

TROPHIES

The Lowe Trophy - Best Individual Exhibit in Show.

The Jack Hamlyn Trophy - Runner Up to Best Individual Exhibit in Show.

Margaret A Taylor Trophy - Best use of Garden Plant Material in any Class.

Norie Eve Memorial Trophy - Best use of Colour in any Class.

Mary Shaw Trophy—Best Craft a committee gift to the winner kindly sponsored by Sue Jackson

Stonier Trophy—People's Choice -

Perpetual Challenge Trophy—Winner of Class 11

An EXHIBIT is composed of natural plant material, with or without accessories, contained within a space as specified in a Show Schedule

All classes to be judged in accordance with NAFAS Competitions Manual Third Edition 2015.

NAFAS Rules state that disqualification will take place for the following reasons:-

1. Failure to comply with any specific requirements of a class as stated in a Show Schedule, eg, the measurements or the components.
2. Inclusion of artificial plant material, (unless specifically allowed by a Show Schedule).
3. Inclusion of any fresh plant material that does not have its roots or the cut ends of its stems in water or water-retaining material. (*For exclusions see the NAFAS Competitions Manual Third Edition 2015*)

Note: All measurements are approximate.

Please ensure that all components will withstand any dampness in the atmosphere.

Classes F2 F4 F5 F8 F10 F11 and F12 are staged on tabling approx. 80cm from the floor and a fabric background. Colour of staging will be confirmed with acceptance of entry.

All adult entries will qualify for an exhibitor's ticket.

ROYAL CHESHIRE COUNTY SHOW

Tabley - Knutsford

Reg. Charity No. 215531

TUESDAY 18th & WEDNESDAY 19th JUNE 2019

« PHENOMENA »

JUDGES:-

MRS JACKIE CHARNOCK & MRS. JUDITH MACKLEY

FLORAL DESIGN SCHEDULE



ORGANISED BY THE CHESHIRE AREA OF NAFAS

Marquee Opening Times

Tuesday 18th June - 9.00 am to 6.00 pm

Wednesday 19th June - 9.00 am to 6.00 pm



SHOW GROUND

Clayhouse Farm, Flittogate Lane, Tabley, Knutsford, Cheshire WA16 0HJ

Competition entries should be returned by 3rd June 2019 to:

**MRS ANN FRANCE, CHURCH HOUSE FARM,
GOLBORNE ROAD, WINWICK, WARRINGTON, WA2 8LF**

ENTRIES CLOSE: Monday 3rd June, 2019

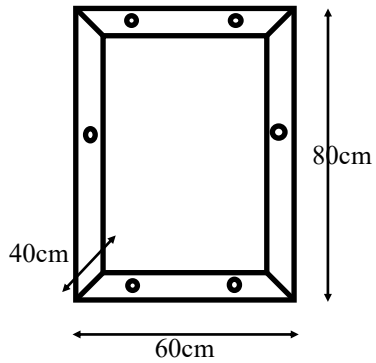
FLORAL DESIGN SECTION

Judges - Mrs. Jackie Charnock and Mrs. Judith Mackley

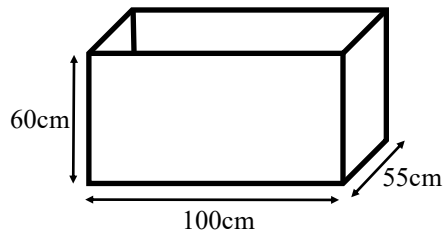
“PHENOMENA”

- Class F1 SEVEN WONDERS An exhibit
To be staged by not more than two people. Title to be displayed.
Exhibitors to provide own base, if required
To be viewed all round and judged from the front.
Space allowed 122cm square, height optional.
Prizes: First - £30 Second - £20 Third - £15 Entry Fee £5
- Class F2 NATURAL PHENOMENON An exhibit
Space allowed Width 76cm, Depth 68cm, Height 120cm.
Tabling and background dark blue fabric.
Prizes: First - £17 Second - £12 Third - £7 Entry Fee £3
- Class F3 IT'S MAGIC A small exhibit
To be staged on white shelving. Space allowed Width 20cm,
Depth 20cm, Height 30cm. May be brought ready assembled.
Prizes: First - £12 Second - £8 Third - £6 Entry Fee £2
- Class F4 HEAT HAZE An exhibit
A novice class open to anyone who has not previously won an award
at a floral art competition judged under NAFAS rules (Flower club
Competitions excepted). Space allowed Width 76cm, Depth 68cm
Height 120cm. Tabling and background dark blue fabric.
Prizes: First - £17 Second - £12 Third - £9 Entry Fee £3
- Class F5 W.W.W. (WIRE WOOD AND WOOL) An imposed class.
Space allowed Width 76cm Depth 68cm Height optional. Staged
on dark blue fabric. **STAGING FOR THIS CLASS WILL BE ON
SUNDAY 16TH JUNE AT 2.00 PM SHARP**
Prizes: First - £17 Second - £12 Third - £7 Entry Fee £17
- Class F6 WHIRLWIND An exhibit
To be staged on a grey painted plinth, Width 20cm, Depth 20cm,
Height 120cm. Space allowed Width 75cm, Depth 75cm, Height optional.
Staged against the marquee wall. To be viewed and judged from the front.
Prizes: First - £17 Second - £12 Third - £7 Entry Fee £3

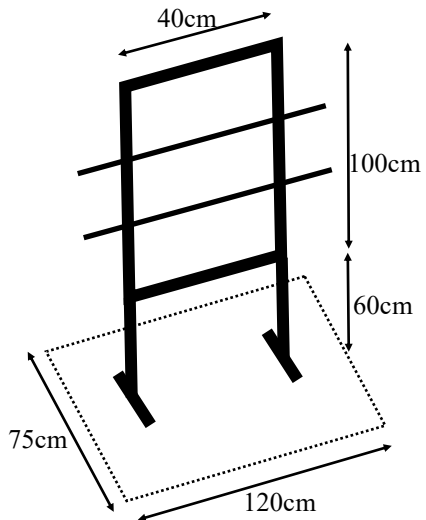
- Class F7 MURMURATION An exhibit
To be staged on a free standing, black painted frame Width 40cm,
Height 100cm, on legs 60cm tall. Frame includes two removable
rods 100cm long. (See separate diagram)
Space allowed Width 120cm, Depth 75cm, Height optional. To be
staged against the marquee wall. Viewed and judged from the front.
Prizes: First - £17 Second - £12 Third - £7 Entry Fee £3
- Class F8 LEVITATION An exhibit
To be staged in an open fronted box Width 60cm Depth 40 cm
Height 80cm. (See separate diagram)
Staged on tabling covered with dark blue fabric
Prizes: First - £17 Second - £12 Third - £7 Entry Fee £3
- Class F9 DECAY An exhibit
To be staged inside an open box Width 100cm Depth 55 cm, Height
60cm, at ground level. (see separate diagram)
To be viewed and judged from above.
The exhibit not to exceed the measurements of the box.
Prizes: First - £17 Second - £12 Third - £7 Entry Fee £3
- Class F10 EARTH'S TREASURES An exhibit
Craft class. Space allowed 45cm, Depth 45cm, Height optional.
staged on tabling covered with olive green fabric.
Dried and preserved plant material to predominate.
May be brought ready assembled.
Prizes: First - £17 Second - £12 Third - £7 Entry Fee £3
- Class F11 HAVE A GO AT THE CHESHIRE SHOW An exhibit
A design of your choice, Title must be displayed.
Space allowed Width 76cm, Depth 68cm, Height optional. Open to all.
Tabling and background dark blue fabric.
Prizes: First - £17 Second - £12 Third - £7 Entry Fee £3
- Class F12 SECRET GARDEN
Junior class. Age ranges 5-12 and 13-17.
Space allowed Width 40cm, Depth 40cm, Height optional.
May be brought ready assembled.
Prizes: First - £5 Second - £3 Third - £2 No entry fee



LEVITATION
 Staged in an open fronted box of un-painted pine.
 Width 60cm, Depth 40cm, Height 80cm.
 Small rings attached inside the top, bottom and sides.
 Staged on tabling covered with dark blue



DECAY
 Staged in an open topped box of un-painted pine at ground level.
 Box dimensions; Width 100cm, depth 55cm, height 60cm.



MURMURATION Staged on a black painted frame.
 Sizes as shown with two removable wooden rods measuring 100cm, inserted one third and two thirds down and across the frame.



CHESHIRE AGRICULTURAL SOCIETY
 Reg. Charity No. 215531

ROYAL CHESHIRE COUNTY SHOW 2019
Floral Design Section

Entry Form

Class number	Entry Fee
Total Entry Fee	£

Please indicate the days you are staging your exhibit for the catering

SUNDAY.....MONDAY.....

Name

Address

.....Post code.....

e-mail

ClubTel No

Please make cheques payable to "Cheshire Agricultural Society"
 Entry forms, fees and a stamped, addressed envelope to be sent to arrive on or before
 3rd June 2019

to
 MRS ANN FRANCE, CHURCH HOUSE FARM, GOLBORNE ROAD, WINWICK,
 WARRINGTON, WA2 8LF. Tel No 01925 634198